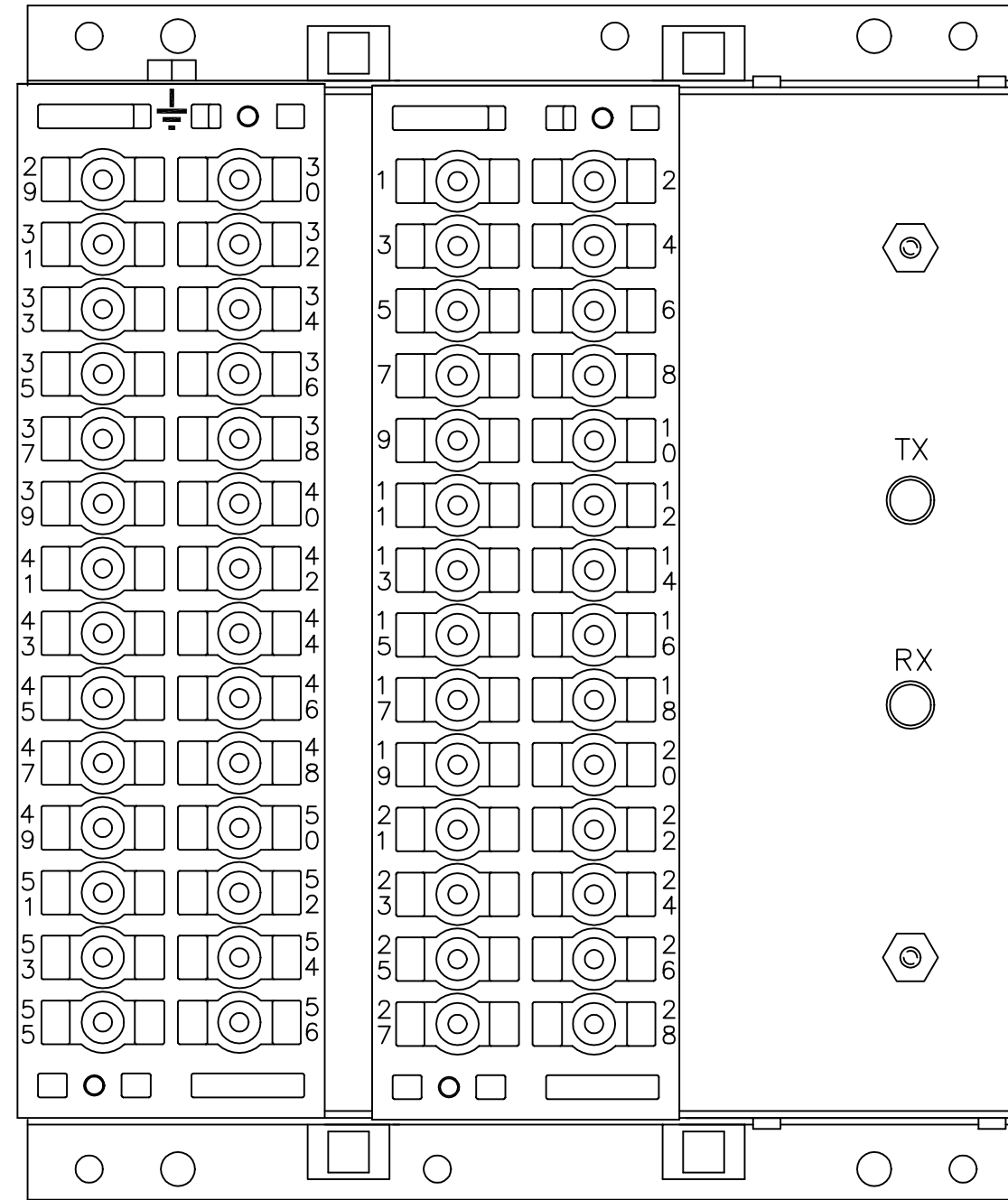
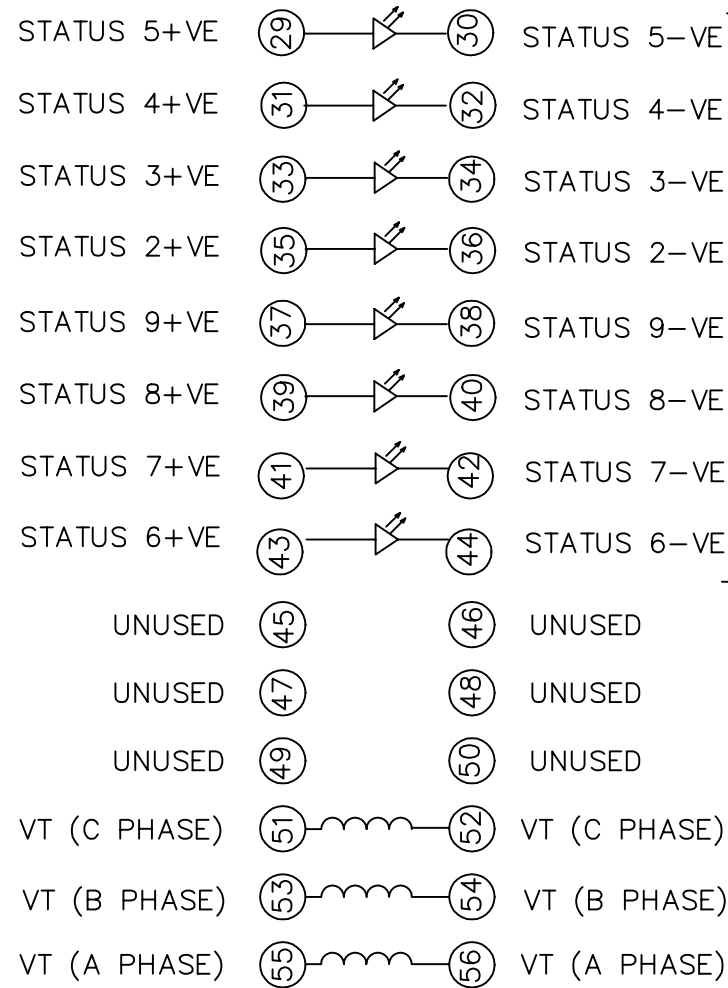
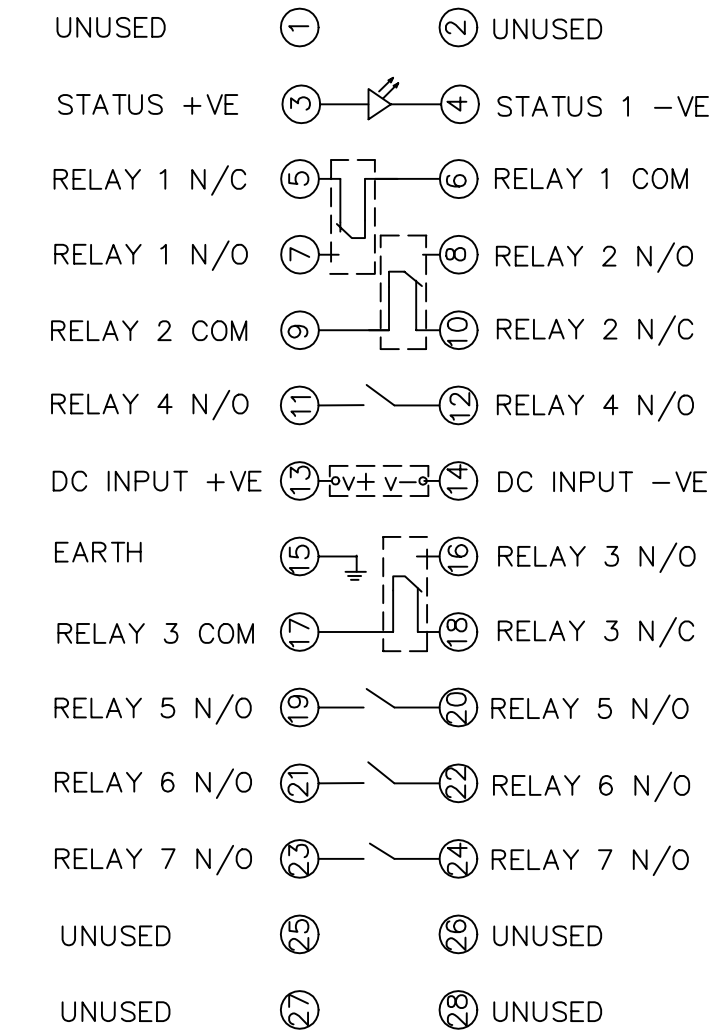


IF IN DOUBT ASK
DO NOT SCALE

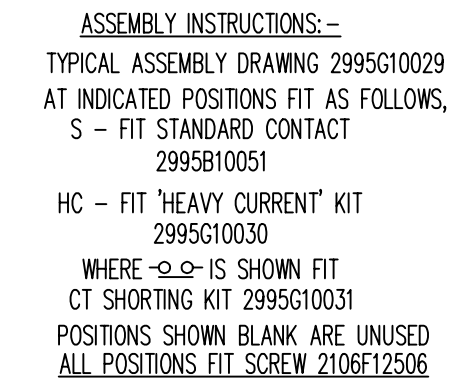


BOX VIEWED FROM REAR

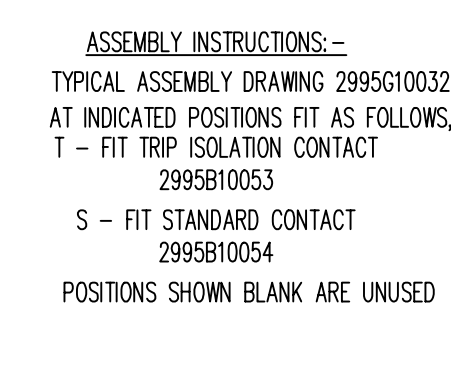
PROTECTION TYPE	SCHEMATIC DIAGRAM OPTION B	SCHEMATIC DIAGRAM OPTION C
PHASE/PHASE	2422W10003 (A3)	2422W10004 (A3)
PHASE/NEUTRAL	2422W10005 (A3)	2422W10006 (A3)



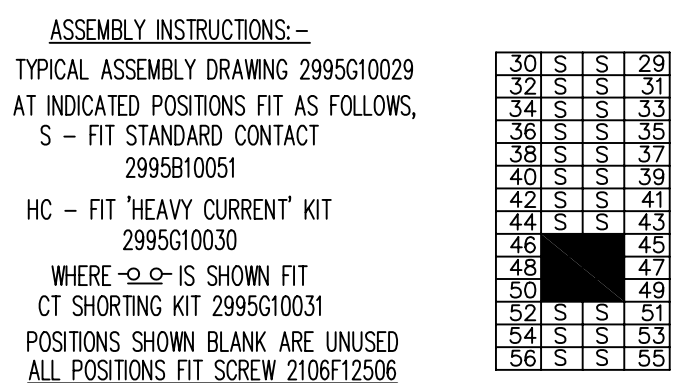
OUTER TERMINAL BLOCK ASSY:-
VIEW BLOCK FROM THE INSIDE FACE



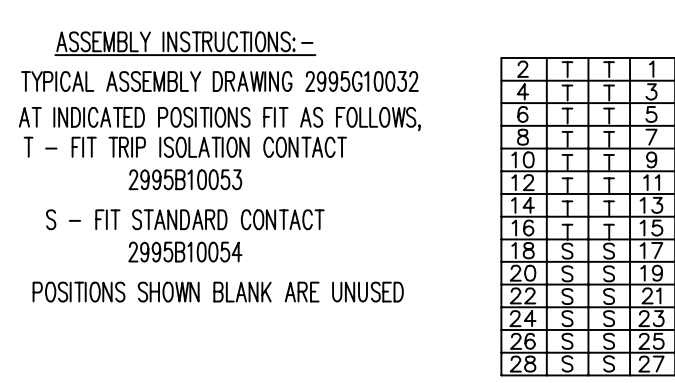
CHASSIS TERMINAL BLOCK ASSY:-
VIEW FROM NUMBERED SIDE OF BLOCK



OUTER TERMINAL BLOCK ASSY:-
VIEW BLOCK FROM THE INSIDE FACE



CHASSIS TERMINAL BLOCK ASSY:-
VIEW FROM NUMBERED SIDE OF BLOCK



NOTES

1 TERMINALS RECOMMENDED ARE PRE INSULATED & MUST BE CRIMPED USING APPROVED TOOLING. AMP PIDG OR PLASTI GRIP FUNNEL ENTRY (RING TONGUE) FOR M4 FIXING STUD.

SUPPLIER	AMP	CABLE SIZE
AMP	342103	0.25-1.6 SQ MM
AMP	342143	1.0-2.6 SQ MM.

OR ANY OTHER MANUFACTURERS EQUIVALENT TERMINAL.

2 FOR OUTLINE & DRILLING DRG SEE 2995X10006 (A4).
3 TERMINAL BLOCKS TO BE REFERENCED A & B AS SHOWN.

MATERIAL:

Dimensions in millimetres ; Surface texture in micrometres.
Machine where marked ✓
For explanation of dimensions, tolerances, notes etc. see B.S.308.
Limit on untoleranced unmachined dimensions ± _____
Limits on untoleranced machined dimensions to B.S.4500;
i.e. up to 6±0.1; over 30 to 120±0.3; over 315±0.8;
over 6 to 30±0.2; over 120 to 315±0.5;
General unmachined angular tolerance ± _____

Finish:	Title: TERMINAL IDENTIFICATION & RELAY WIRING DIAGRAM VOLTAGE RELAY 70/P + 9SI ARGUS 8 (E6 CASE)	First used on:
Treatment:	VATECH REYROLLE AUTOMATION, CONTROL & PROTECTION	Similar Articles:
	Original Scale: 1 : 1	Supersedes:
	Drg. No. 2422W50004	

NOT SUBJECT TO UPDATE
ONCE COPIED / PRINTED
OR DOWNLOADED